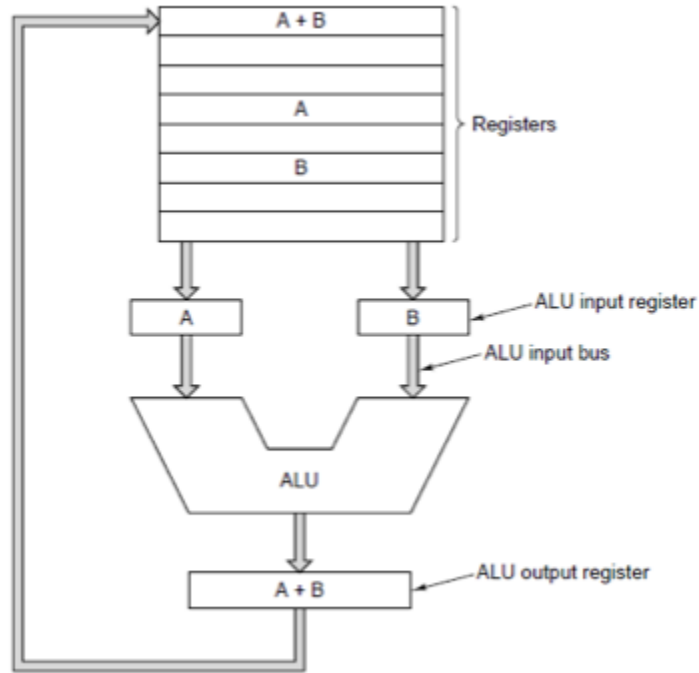


Datapath

NOTE04 - Datapath: The core of the CPU

Datapath: the inner loop



ALU is combinational. Register is storage, sequential.

Not shown: Clocked. Control. Pipelining. Connection to the outside world.

Von Neumann architecture:

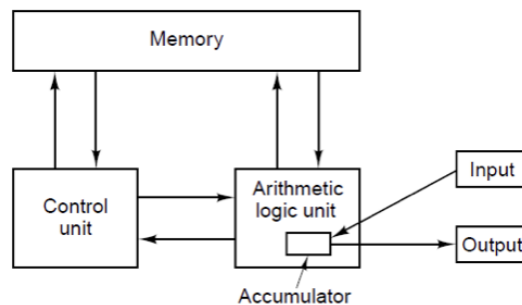


Figure 1-5. The original von Neumann machine.